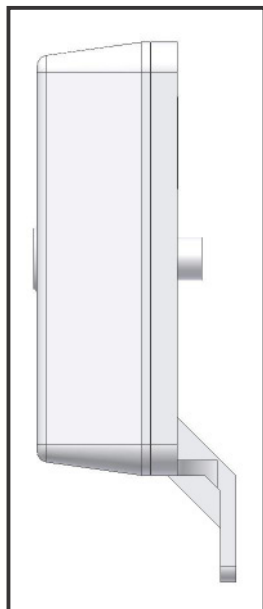
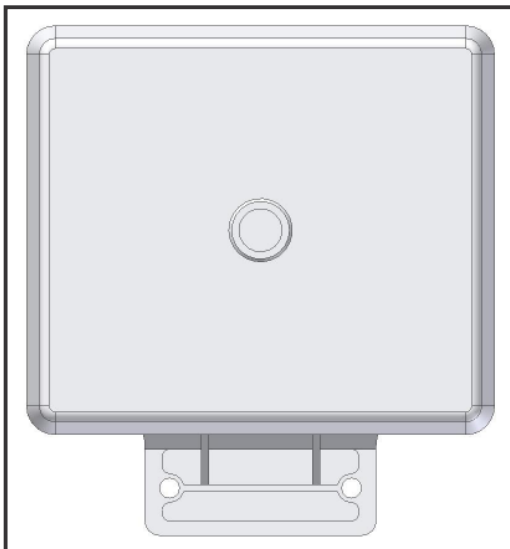
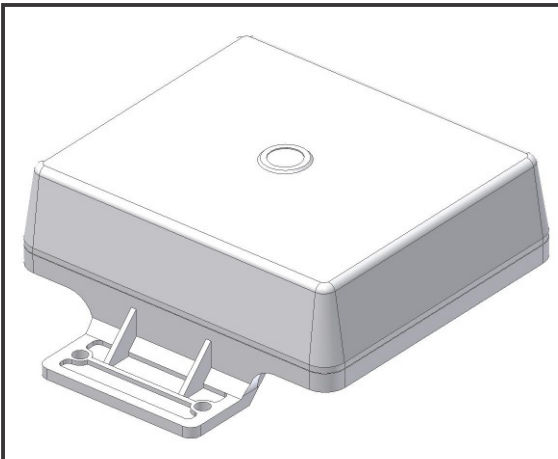


Model 171730
DIRECTIVE ANTENNA GSM / UMTS



SPECIFICATIONS

Material:	ABS
Colour:	Gray
Dimensions (mm):	162*142*45
Wind resistance:	120 Km/h
Mounting (mm):	On pale (from Ø20 ÷ Ø55)
Temperature (°C):	-30° - +80°

TECHNICAL DATA GSM / UMTS:

Antenna type:	Directive Antenna
Frequency range	
GSM-ETACS-NNT:	890 ÷ 960 MHz
PCN-GSM:	1710 ÷ 1880 MHz
UMTS:	1920 ÷ 1990 MHz (uplink tr.) 2110 ÷ 2170 MHz (dowlink ric.) 1900 ÷ 1920 MHz (uplink tr.) 2010 ÷ 2025 MHz (dowlink ric.)

Impedance (Ohms):	50
Max power (W):	50
V.S.W.R. 900:	less than 1.5
V.S.W.R. 1800:	less than 1.5
Polarization:	Vertical
Emission:	Directive
Gain (dBi):	10
Cable lenght :	CO100 mm.5000
Connector:	SMA M.

