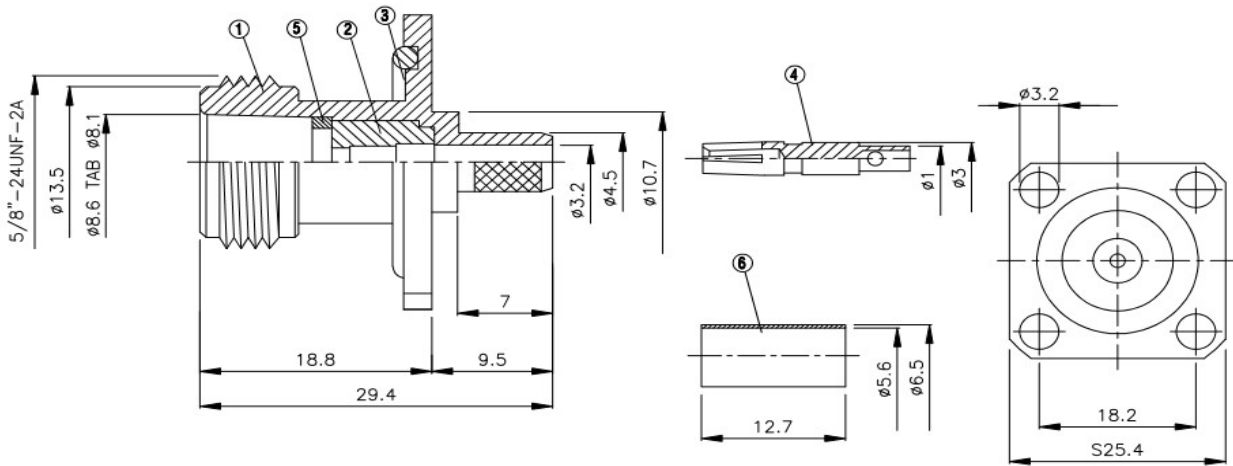
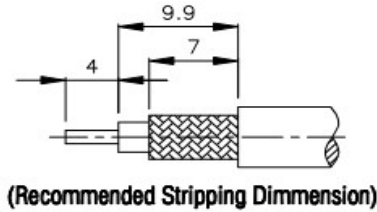


# N-605-O

N Einbaub. 4-Loch, 18,2mm crimp  
mit O-Ring / RG58, RF195, HF50



NO	DESCRIPTION	MATERIAL	Q' TY	FINISH
1	BODY	BRASS	1	NICKEL
2	INSULATION 1	TEFLON	1	TEFLON
3	GASKET	SI RUBBER	1	RUBBER
4	PIN (FEMALE)	BRASS	1	GOLD
5	WASHER	BRASS	1	NICKEL
6	RING	BRASS	1	NICKEL