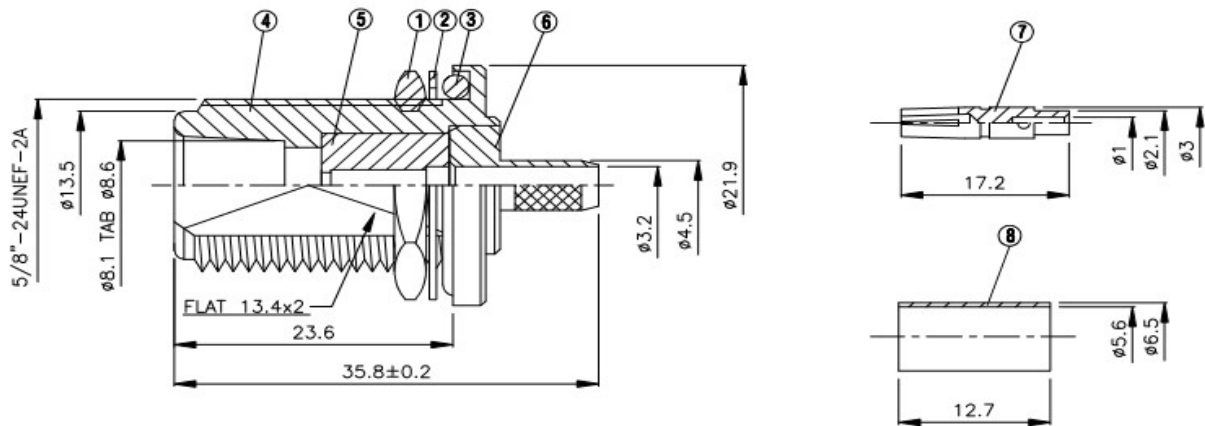


N-606

N Einbaubuchse 1-Loch, crimp mit O-Ring / RG58, RF195, HF50



NO	DESCRIPTION	MATERIAL	Q' TY	FINISH
1	NUT	BRASS	1	NICKEL
2	WASHER	BRASS	1	NICKEL
3	GASKET	SI RUBBER	1	RUBBER
4	BODY	BRASS	1	NICKEL
5	INSULATION	TEFLON	1	TEFLON
6	BODY	BRASS	1	NICKEL
7	PIN	BRASS	1	GOLD
8	RING	BRASS	1	TEFLON