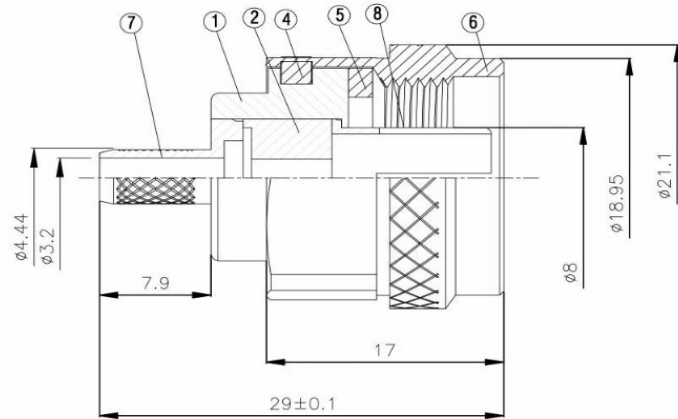
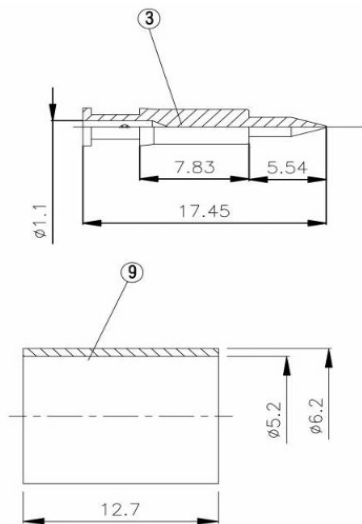
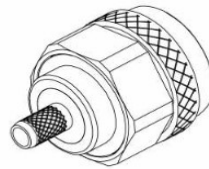
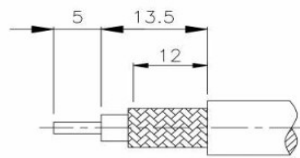


N-609-H

N Hexagon Stecker crimp / RG58, RF195, HF50



NO	DESCRIPTION	MATERIAL	Q'TY	FINISH
1	BODY 1	BRASS	1	NICKEL
2	INSULATION	TEFLON	1	TEFLON
3	PIN	BRASS	1	GOLD
4	WASHER	SUS 303	1	N/A
5	GASKET	SI RUBBER	1	RUBBER
6	BODY 2	BRASS	1	NICKEL
7	BODY 3	BRASS	1	NICKEL
8	BODY 4	BRASS	1	NICKEL
9	RING	BRASS	1	NICKEL