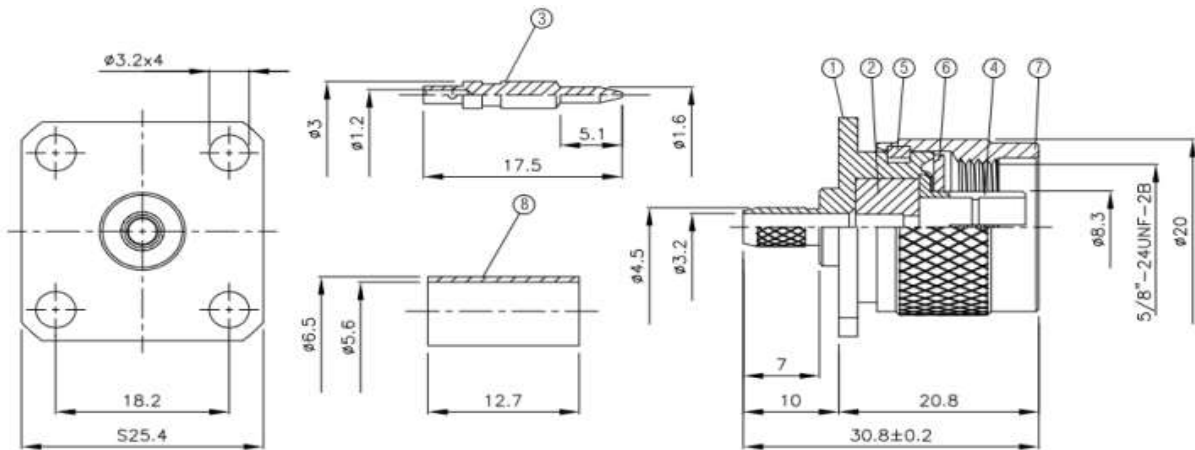
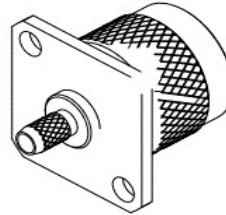
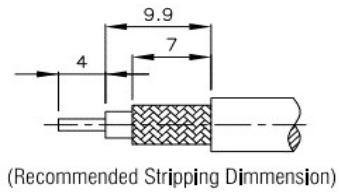


N-615

N Einbaustecker 4-Loch, 18.2mm crimp / RG58, RF195, HF50



NO	DESCRIPTION	MATERIAL	Q'TY	FINISH
1	BODY 1	BRASS	1	NICKEL
2	INSULATION	TEFLON	1	TEFLON
3	PIN	BRASS	1	GOLD
4	BODY 2	BRASS	1	NICKEL
5	WASHER	BRASS	1	NICKEL
6	GASKET	SI RUBBER	1	RUBBER
7	SHELL	BRASS	1	NICKEL
8	RING	BRASS	1	NICKEL