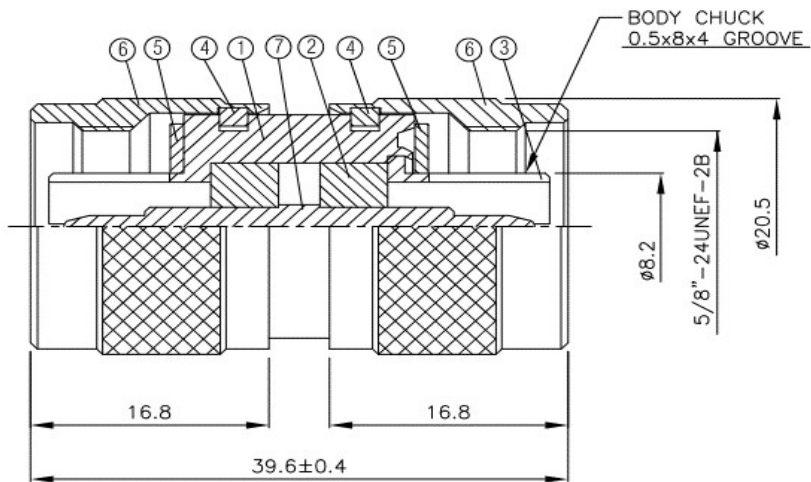


N-622

N Doppelstecker



NO	DESCRIPTION	MATERIAL	Q'TY	FINISH
1	BODY 1	BRASS	1	NICKEL
2	INSULATION	TEFLON	2	TEFLON
3	BODY 2	BRASS	1	NICKEL
4	WARSHER	PH.BRONZE	2	NICKEL
5	GASKET	SI RUBBER	2	RUBBER
6	BODY 2	BRASS	2	NICKEL
7	PIN	BRASS	1	GOLD