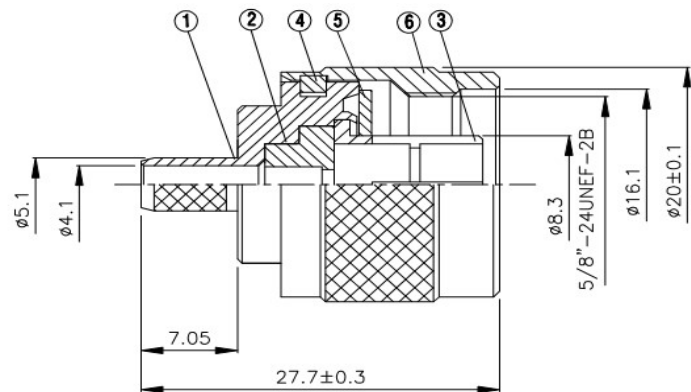
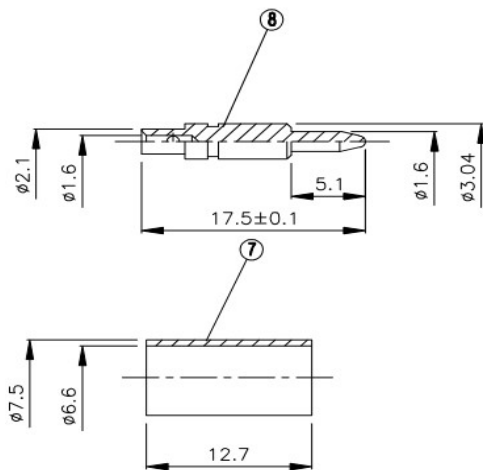
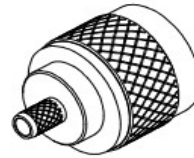
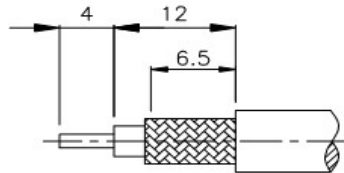


N-664

N Stecker crimp / RF240



NO	DESCRIPTION	MATERIAL	Q'TY	FINISH
1	BODY 1	BRASS	1	NICKEL
2	INSULATION	TEFLON	1	TEFLON
3	BODY 2	BRASS	1	NICKEL
4	WARSHER	BRASS	1	NICKEL
5	GASKET	RUBBER	1	RUBBER
6	BODY 2	BRASS	1	NICKEL
7	RING	BRASS	1	NICKEL
8	PIN	BRASS	1	GOLD