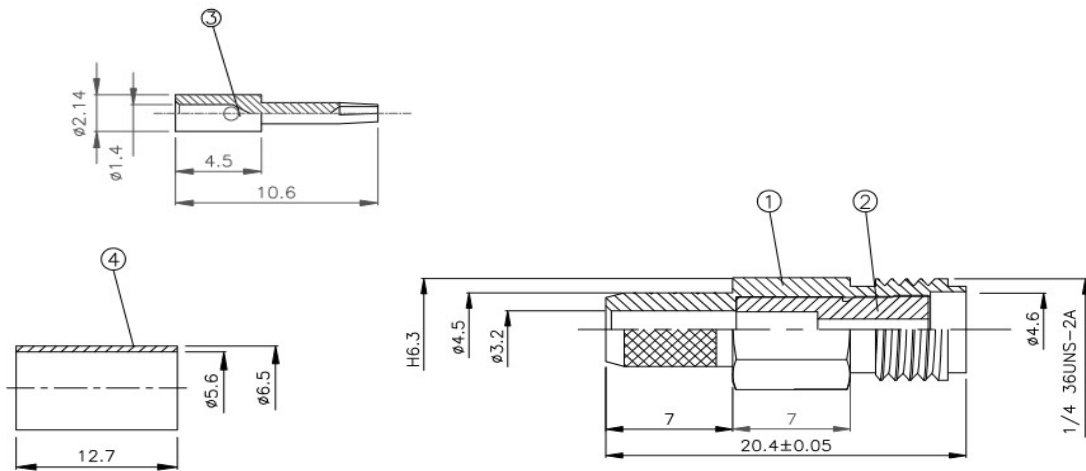
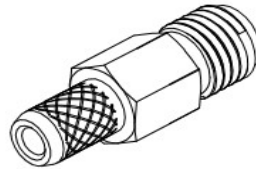
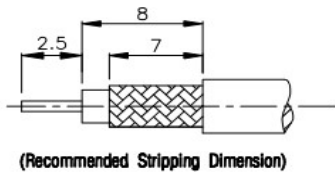


SA-1313

SMA Kupplung crimp / RG58, RF195, HF50



NO	DESCRIPTION	MATERIAL	Q' TY	FINISH
1	BODY	BRASS	1	NICKEL
2	INSULATION	TEFLON	1	TEFLON
3	PIN	BRASS	1	GOLD
4	RING	BRASS	1	NICKEL