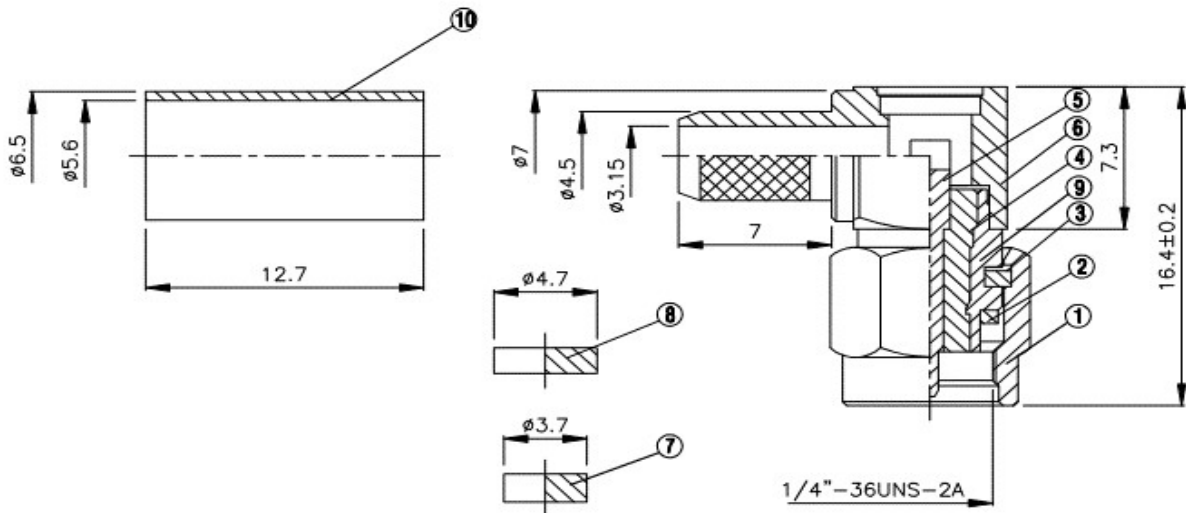
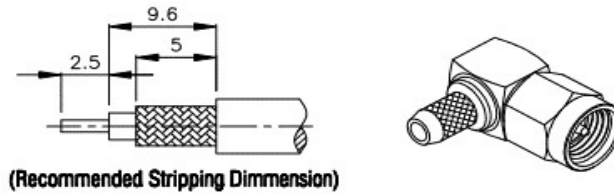


# SA-1316

## SMA Winkel crimp / RG58, RF195, HF50



| NO | DESCRIPTION | MATERIAL  | Q'TY | FINISH |
|----|-------------|-----------|------|--------|
| 1  | SHELL       | BRASS     | 1    | GOLD   |
| 2  | GASKET      | SI RUBBER | 1    | GOLD   |
| 3  | WASHER      | PH.BRONZE | 1    | GOLD   |
| 4  | INSULATION  | TEFLON    | 1    | TEFLON |
| 5  | PIN         | BE CU     | 1    | GOLD   |
| 6  | BODY        | BRASS     | 1    | GOLD   |
| 7  | INSULATION  | TEFLON    | 1    | TEFLON |
| 8  | WASHER      | BRASS     | 1    | GOLD   |
| 9  | BODY        | BRASS     | 1    | GOLD   |
| 10 | RING        | BRASS     | 1    | GOLD   |