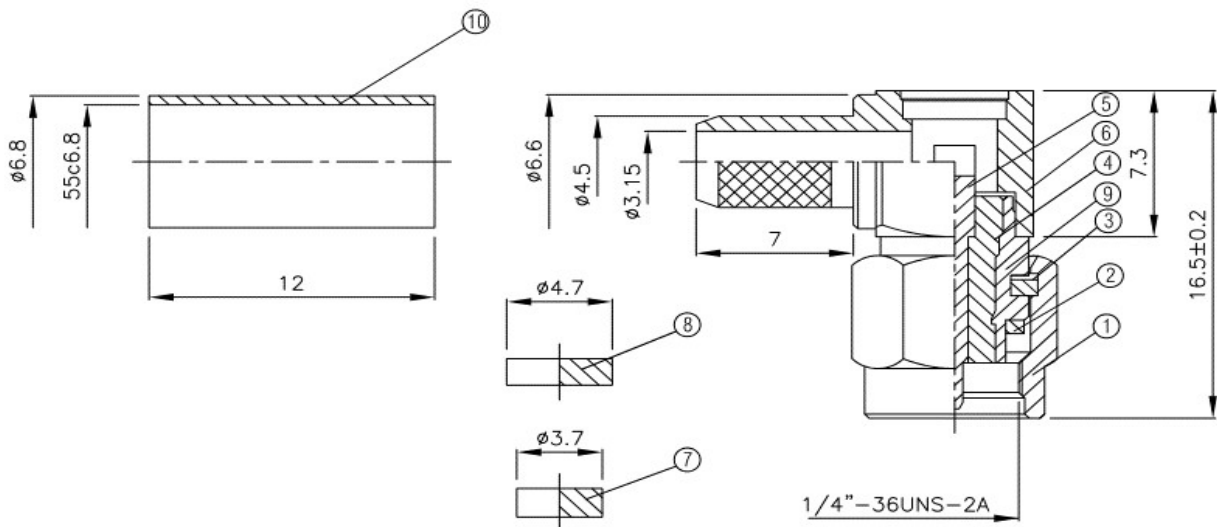
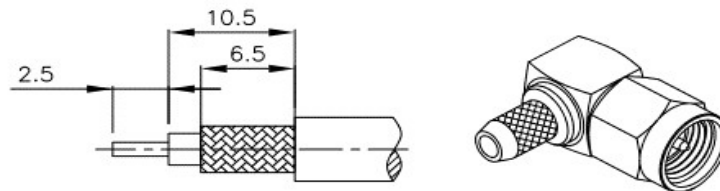


SA-1319

SMA Winkel crimp / Super-Low-Loss



NO	DESCRIPTION	MATERIAL	Q'TY	FINISH
1	SHELL	BRASS	1	GOLD
2	GASKET	SI RUBBER	1	GOLD
3	WASHER	PH.BRONZE	1	GOLD
4	INSULATION	TEFLON	1	TEFLON
5	PIN	BE CU	1	GOLD
6	BODY	BRASS	1	GOLD
7	INSULATION	TEFLON	1	TEFLON
8	WASHER	BRASS	1	GOLD
9	BODY	BRASS	1	GOLD
10	RING	BRASS	1	GOLD