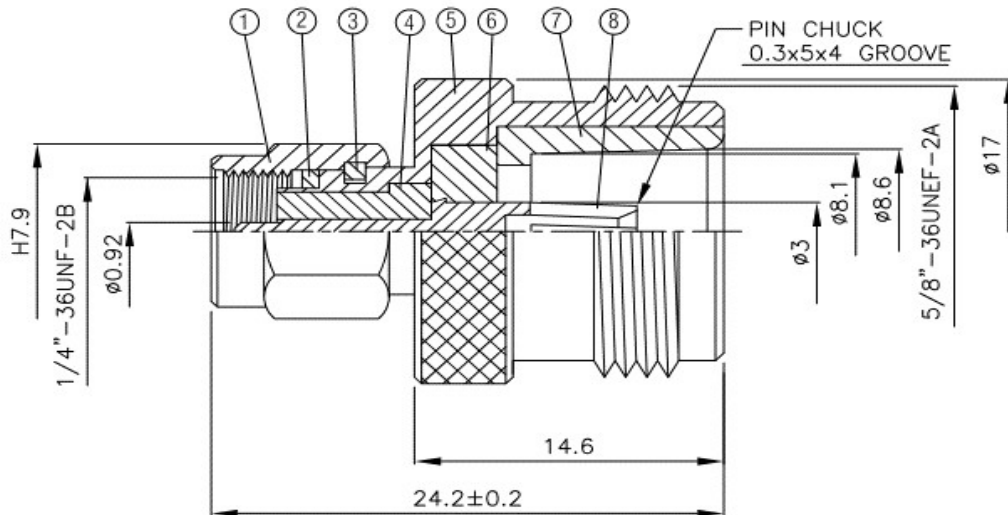
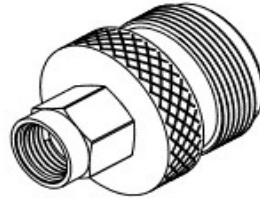


SA-1362 SMA Stecker / N Kupplung



NO	DESCRIPTION	MATERIAL	Q' TY	FINISH
1	SHELL	BRASS	1	NICKEL
2	GASKET	SI RUBBER	1	RUBBER
3	WASHER	PH. BRONZE	1	GOLD
4	INSULATION 1	TEFLON	1	TEFLON
5	BODY 1	BRASS	1	NICKEL
6	INSULATION 2	TEFLON	1	TEFLON
7	BODY 2	BRASS	1	NICKEL
8	PIN	BRASS	1	GOLD