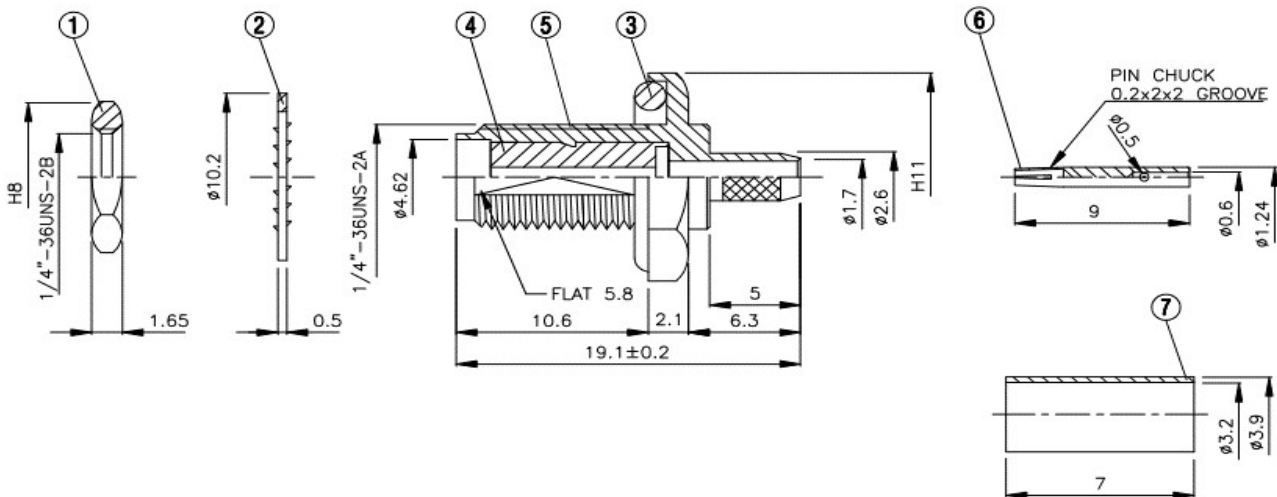
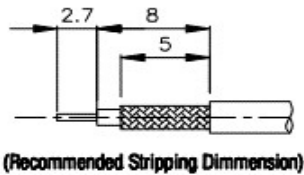


SA-1390

SMA Einbaubuchse crimp / RG174, RG316 mit O-Ring



NO	DESCRIPTION	MATERIAL	Q' TY	FINISH
1	NUT	BRASS	1	NICKEL
2	WASHER	BRASS	1	NICKEL
3	GASKET	SI RUBBER	1	RUBBER
4	INSULATION	TEFLON	1	TEFLON
5	BODY	BRASS	1	NICKEL
6	PIN	BE CU	1	GOLD
7	RING	BRASS	1	NICKEL