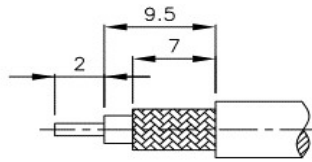
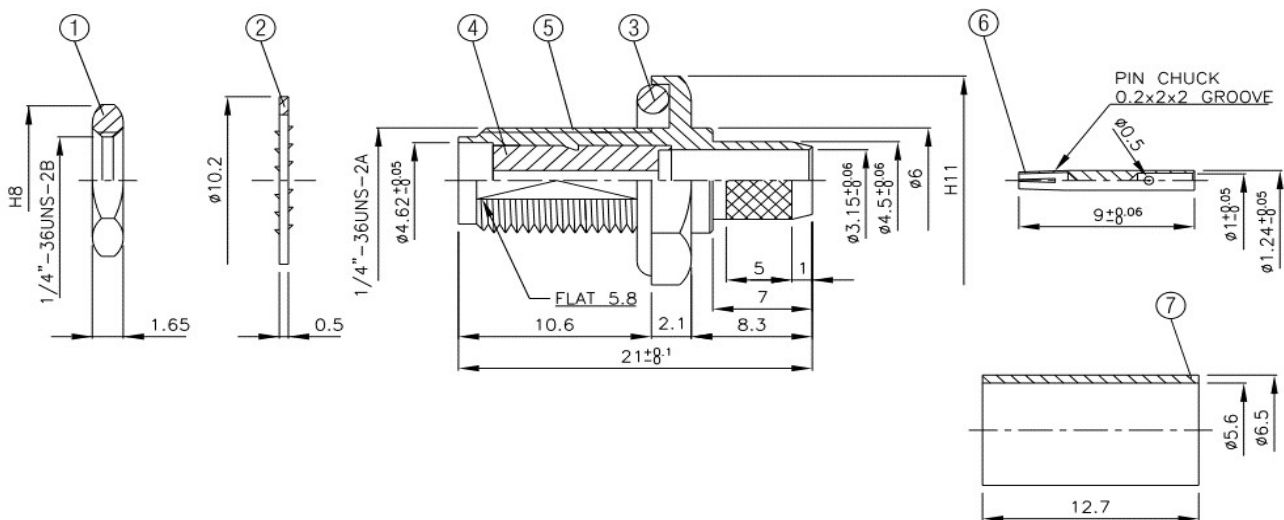


SA-1392

SMA Einbaubuchse crimp / RG58, RF195, HF50 mit O-Ring



(Recommended Stripping Dimension)



NO	DESCRIPTION	MATERIAL	Q'TY	FINISH
1	NUT	BRASS	1	NICKEL
2	WASHER	BRASS	1	NICKEL
3	GASKET	SI RUBBER	1	RUBBER
4	INSULATION	TEFLON	1	TEFLON
5	BODY	BRASS	1	NICKEL
6	PIN	BE CU	1	GOLD
7	RING	BRASS	1	NICKEL