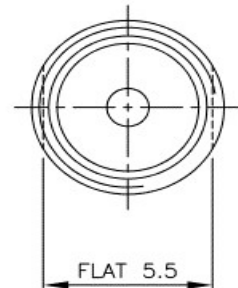
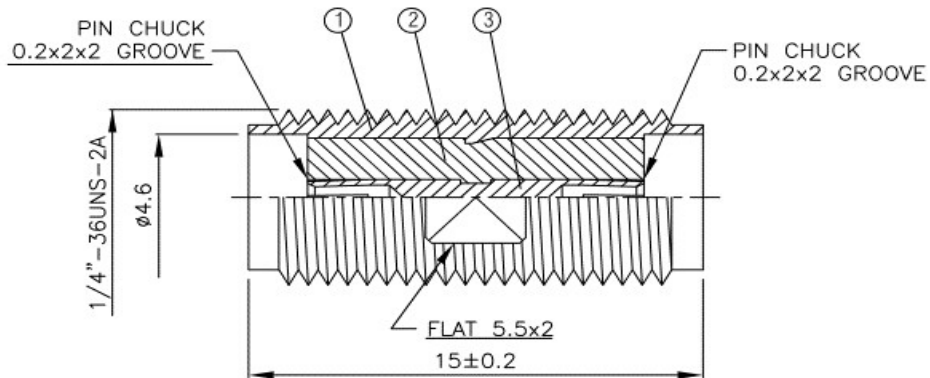


SA-1393

SMA Doppelkupplung



NO	DESCRIPTION	MATERIAL	Q'TY	FINISH
1	BODY	BRASS	1	NICKEL
2	INSULATION	TEFLON	1	TEFLON
3	PIN	BE CU	1	GOLD