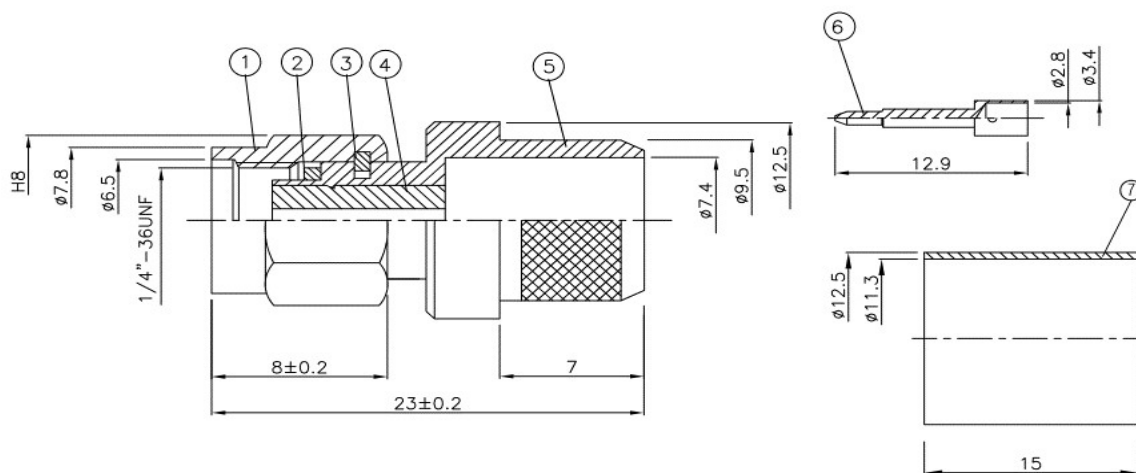
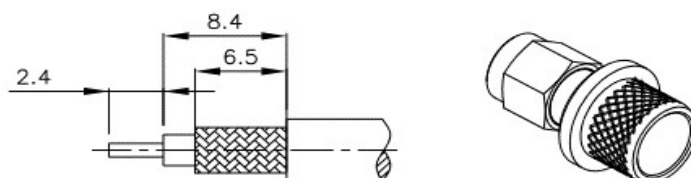


# SA-660

## SMA Stecker crimp / RG213, RF400



NO	DESCRIPTION	MATERIAL	Q' TY	FINISH
1	SHELL	BRASS	1	NICKEL
2	GASKET	SI RUBBER	1	RUBBER
3	WASHER	BRASS	1	NICKEL
4	INSULATION	TEFLON	1	TEFLON
5	BODY	BRASS	1	NICKEL
6	PIN	BRASS	1	GOLD
7	RING	BRASS	1	NICKEL